

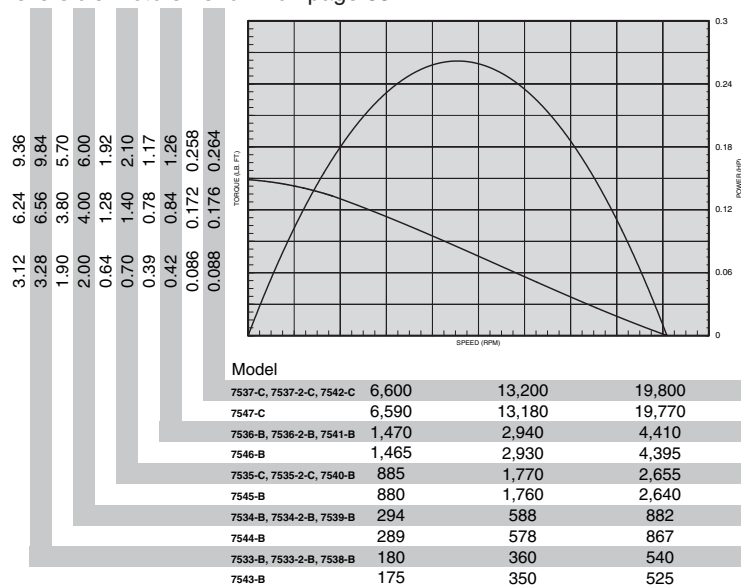
000-Series Power Motors



SPECIFICATIONS

MODEL	SPINDLE	R.P.M.		TORQUE OUTPUT				AIR CONSUMPTION		SOUND LEVEL @FREE SPEED dB(A)	WEIGHT		GEAR REDUCTION
		FREE SPEED	LOAD SPEED @MAX. H.P.	STALL lb. ft.	Nm	@MAX. H.P. lb. ft.	Nm	@FREE SPEED SCFM	L/s		lbs.	kg.	
NON-REVERSIBLE - .25 H.P.													
7538-B	3/8" Keyed	550	325	8.2	11.1	4.0	5.4	18.1	8.5	75	1.82	.82	Double
7539-B	3/8" Keyed	900	550	5.0	6.7	2.4	3.2	18.1	8.5	75	1.82	.82	Double
7540-B	3/8" Keyed	2,700	1,600	1.75	2.3	.82	1.1	18.1	8.5	75	1.52	.68	Single
7541-B	3/8" Keyed	4,500	2,700	1.05	1.4	.49	.66	18.1	8.5	75	1.52	.68	Single
7542-C	3/8" Keyed	20,000	12,000	.22	.3	.11	.14	18.1	8.5	75	1.52	.68	Single
7533-B	3/8"-24 Th'd.	550	325	8.2	11.1	4.0	5.4	18.1	8.5	75	1.82	.82	Double
7534-B	3/8"-24 Th'd.	900	550	5.0	6.7	2.4	3.2	18.1	8.5	75	1.82	.82	Double
7535-C	3/8"-24 Th'd.	2,700	1,600	1.75	2.3	.82	1.1	18.1	8.5	75	1.52	.68	Single
7536-B	3/8"-24 Th'd.	4,500	2,700	1.05	1.4	.49	.66	18.1	8.5	75	1.52	.68	Single
7537-C	3/8"-24 Th'd.	20,000	12,000	.22	.3	.11	.14	18.1	8.5	75	1.52	.68	Single
REVERSIBLE - .25 H.P.													
7543-B	3/8" Keyed	550	300	7.80	10.6	4.37	5.9	20.0	9.4	75*	1.82	.82	Double
7544-B	3/8" Keyed	900	550	4.75	6.4	2.62	3.5	20.0	9.4	75*	1.82	.82	Double
7545-B	3/8" Keyed	2,700	1,500	1.60	2.2	.87	1.1	20.0	9.4	75*	1.52	.68	Single
7546-B	3/8" Keyed	4,500	2,400	.98	1.3	.55	.7	20.0	9.4	75*	1.52	.68	Single
7547-C	3/8" Keyed	20,000	11,000	.22	.3	.12	.16	20.0	9.4	75*	1.52	.68	Single

*Requires installation for reversible motors - shown on page 85.



STANDARD EQUIPMENT

Steel motor housing, flush-type grease fittings at rotation points for gear and bearing lubrication, exhaust manifold and muffler.

EQUIPMENT OPTIONS

- 37898 Flange Bracket
- 37899 Foot Bracket

OPTIONS FOR MOTORS WITH THREAD SPINDLES

- 30384-5 3/8" (9.5 mm) Male Square-Drive Adapter.
- 30384-9 1/2" (12.7 mm) Male Square-Drive Adapter.
- 30712 1/4" (6.4 mm) Female Hex Ball-Lock Adapter for screwdriver bits.
- 47340 1/4" (6.4 mm) Capacity Drill Chuck.
- 42420 3/8" (9.5 mm) Arbor for rubber friction drive wheels up to 1" (25.4 mm) wide.



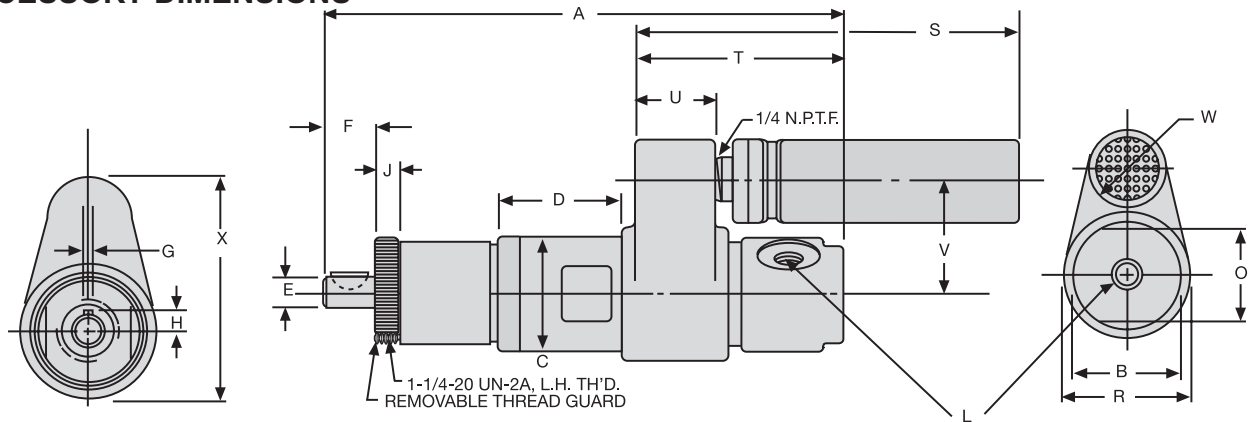
37898



37899

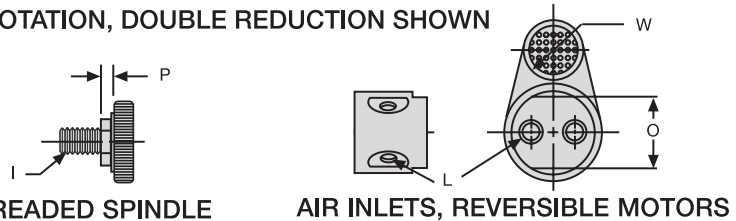
Dimensions – 000-Series Power Motors & Mounts

000-SERIES AND MOUNTING ACCESSORY DIMENSIONS



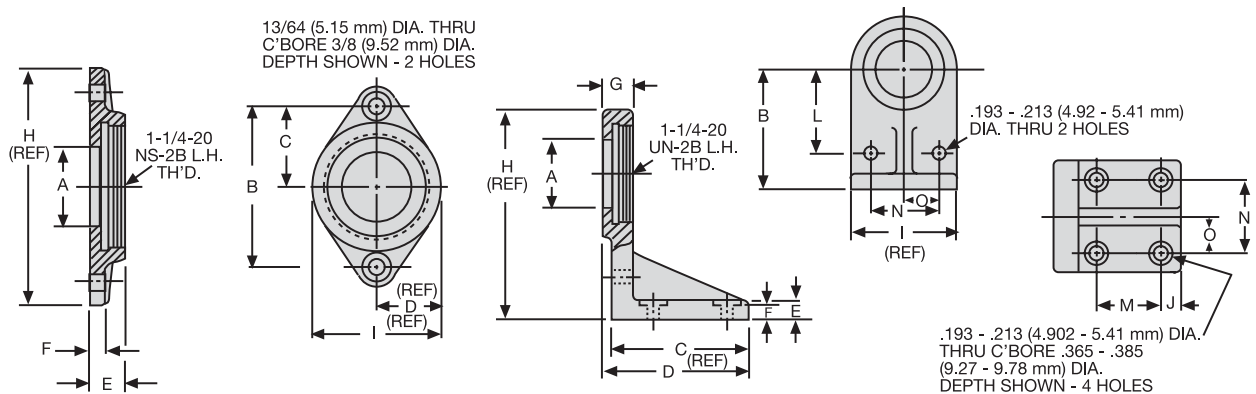
FORWARD ROTATION, DOUBLE REDUCTION SHOWN

Gear Reduction	DIMENSION A
Single	4-15/16 125 mm
Double	6 152 mm



Scale	B	C	D	E	F	G	H	I	J	L
Inches	1-3/8	1.373	1-9/32	.3748	.592	.0938	.228	3/8"-24 UNF-3A Thread	.251	1/8" NPTF Air Inlet
mm	35	34.87	32	.3751	.643	.0948	.238		.276	

Scale	O	P	R	S	T	U	V	W	X
Inches	1-1/8	.086	1-5/8	4-9/16	2-15/32	31/32	1-3/8	1	2-11/16
mm	28	2.18	41	116	63	25	35	25	68
	Rev. 30	3.53							



37898 FLANGE MOUNTING BRACKET

Scale	A	B	C	D
Inches	.865	2.042	1.021	13/16
mm	.885	2.082	1.041	
	21.97	51.89	25.93	20.64
	22.48	52.89	26.44	

Scale	E	F	H	I
Inches	.380	.177	2-9/16	1-5/8
mm	.400	.197		
	9.65	4.50	65.09	41.28
	10.16	5.00		

37899 FOOT MOUNTING BRACKET

Scale	A	B	C	D	E	F	G
Inches	.865	1.865	1.740	1-7/8	7/32	.177	.380
mm	.885	1.885	1.760		9/32	.197	.400
	21.97	47.37	44.20	47.63	5.56	4.50	9.65
	22.48	47.88	44.70		7.14	5.00	10.16

Scale	H	I	J	L	M	N	O
Inches	2-11/16	1-5/8	.271	1.302	.927	1.052	.521
mm			.291	1.322	.947	1.072	.541
	68.26	41.27	6.88	33.07	23.55	26.27	13.23
		41.28	7.39	33.56	24.05	27.23	13.74