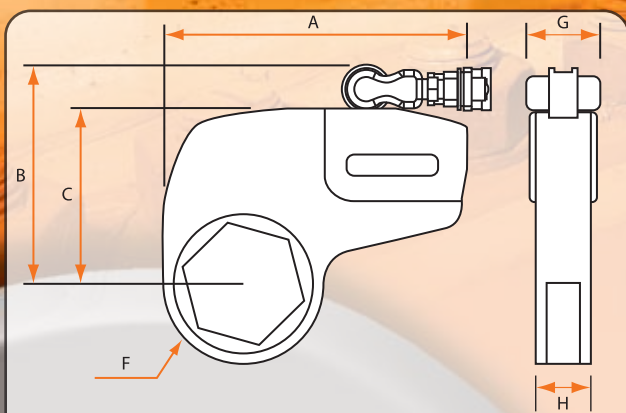


Nº de pedido	Par de salida		Cuadradillo		A		B		C		F		G		H		K		Peso	
	ft. lbs.	Nm	in.	mm	in.	mm	in.	mm	in.	mm	in.	mm	in.	mm	in.	mm	in.	mm	lbs.	kg
TWSD1	1,390	1,880	3/4	19.0	5.5	139	5.7	146	1.1	29	1.3	34	4.4	112	6.7	170	3.4	87	5.1	2.3
TWSD3	3,070	4,160	1	25.4	6.7	169	6.9	176	1.5	39	1.8	45	4.9	124	7.7	196	4.1	105	9.9	4.5
TWSD6	6,020	8,157	1 1/2	38.1	7.7	195	8.1	206	1.8	46	2.0	51	5.6	142	9.3	237	5.4	136	17.4	7.9
TWSD11	10,940	14,823	1 1/2	38.1	9.2	234	9.5	242	2.2	55	2.4	61	7.0	179	11.5	292	6.5	165	28.9	13.1
TWSD25	24,700	33,496	2 1/2	63.5	12.0	306	12.4	314	2.8	72	3.0	77	9.1	231	14.8	375	7.9	200	65.0	29.5

Ver página 19 para información de vasos y hexágonos



Nº de pedido	Par de salida		Rango de cartuchos A/F		A		B		C		F		G		H		Peso con el cartucho	
	ft. lbs.	Nm	in.	mm	in.	mm	in.	mm	in.	mm	in.	mm	in.	mm	in.	mm	lbs.	kg
TWLC2	1,575	2,134	1 ¹ / ₄ - 2 ³ / ₈	32 - 60	7.6	178	4.1	103	5.4	136	1 ¹ / ₄ - 1 ⁷ / ₈	32 - 46	1.7	42	1.3	32	6.2	2.8
TWLC4	3,975	5,386	1 ¹ / ₂ - 3 ¹ / ₈	40 - 80	8.8	223	5.1	130	6.4	163	1 ¹ / ₂ - 2 ³ / ₈	37 - 59	2.0	52	1.7	42	12.6	5.7
TWLC8	7,950	10,773	2 ³ / ₈ - 3 ⁷ / ₈	60 - 100	10.4	265	6.2	158	7.7	195	2 - 2 ⁷ / ₈	51 - 74	2.7	69	2.1	54	22.9	10.4
TWLC15	14,850	20,221	2 ⁹ / ₁₆ - 4 ⁵ / ₈	65 - 120	12.0	306	7.3	186	8.8	223	2 ³ / ₈ - 2 ¹ / ₂	61 - 87	3.1	80	2.5	63	37.3	16.9
TWLC30	28,800	39,024	3 ¹ / ₈ - 6 ¹ / ₈	80 - 155	15.4	391	9.4	239	10.9	276	3 - 4 ¹ / ₂	77 - 116	4.2	106	3.2	82	77.0	35.0

Ver pagina 20 para cartuchos y informacion de reductores