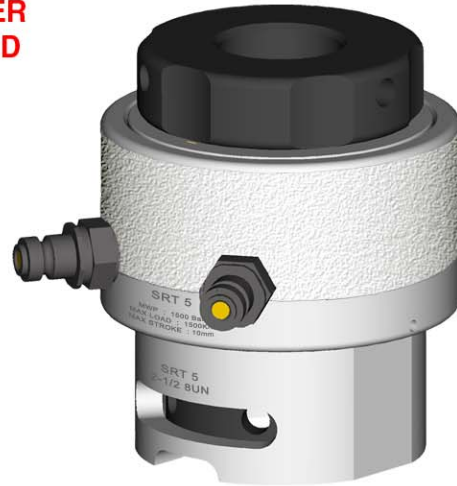


POWERED PISTON RETURN BOLT TENSIONER

OUR POWERED PISTON RETURN BOLT TENSIONER REDUCES OPERATOR FATIGUE, SAVING TIME AND IMPROVING SAFETY AND PRODUCTIVITY

In addition to standard features normally associated with bolt tensioning tools, our system also provides the following benefits :

- Unique quick release bridge adaptation.
- Piston Overstroke Prevention.
- Piston Stroke Indication.
- Compatible with MRT Tensioner range.
- Piston / Cylinder mis-alignment compensation.
- Bolt Coverage from 1" to 3 1/2" with just 4 tools.
- Designed to fit BS1560 / ANSI B16.5 / API Flanges.
- Fully enclosed load cell design eliminates ingress of debris into piston retraction mechanism.



SPECIFICATIONS AND DIMENSIONAL DATA														
								<ul style="list-style-type: none"> ● Piston Stroke - 10mm. ● Max Tool Pressure - 21750psi (1500 bar). ● Bolt Protrusion above nut = 1 x Bolt Diameter. ● 'D' includes an allowance for tool removal after bolt tightening with 10mm tool stroke. ● Weight excludes Puller Sleeve. ● Product development is constantly taking place and dimensions may change without notice. 						
TOOL REF	BOLT DIAM.		TOOL LOAD		HYD. AREA		'A'	'B'	'C' A/F	'D'		APPROX WEIGHT		
	Imperial	Metric	Tonf.	KN	in ²	mm ²				Imp bolts	Met bolts		kg	
SRT 1	1"	M24	28.1	280	2.89	1867	87	117	68	175	175	3.4		
	1-1/8"									181	178			
SRT 2	1"	M24	46.0	450	4.65	3001	103	117	75	175	175	5.1		
	1-1/8"	M27								120	80		181	178
	1-1/4"	M30								120	80		188	190
	1-3/8"	M33								123	84		195	196
SRT 3	1-1/4"	M33	66.2	660	6.82	4401	118	123	88	190	192	6.7		
	1-3/8"	M36								126	96		197	198
	1-1/2"	M39								130	96		203	204
	1-5/8"	M42								133	105		209	211
SRT 4	1-1/2"	M39	101.4	1000	10.34	6668	140.5	132	112	211	212	9.4		
	1-5/8"	M42								135	114		217	218
	1-3/4"	M45								139	118		223	225
	1-7/8"	M48								142	114		230	231
	2"									145	120		236	
SRT 5	2"	M52	150.5	1500	15.50	10003	175.5	148	120	246	248	15.9		
	2-1/4"	M56								154	138		259	258
		M60								161	138		262	262
	2-1/2"	M64								161	153		272	273
	2-3/4"	M68								167	156		284	283
SRT 6	2-3/4"	M72	250.9	2500	25.84	16671	219	167	157	294	297	27.0		
	3"	M76								174	182		307	308
		M80								180	190		312	312
	3-1/4"	M85								180	190		320	323
	3-1/2"	M90								186	205		332	334

BOLT TENSIONING SYSTEMS